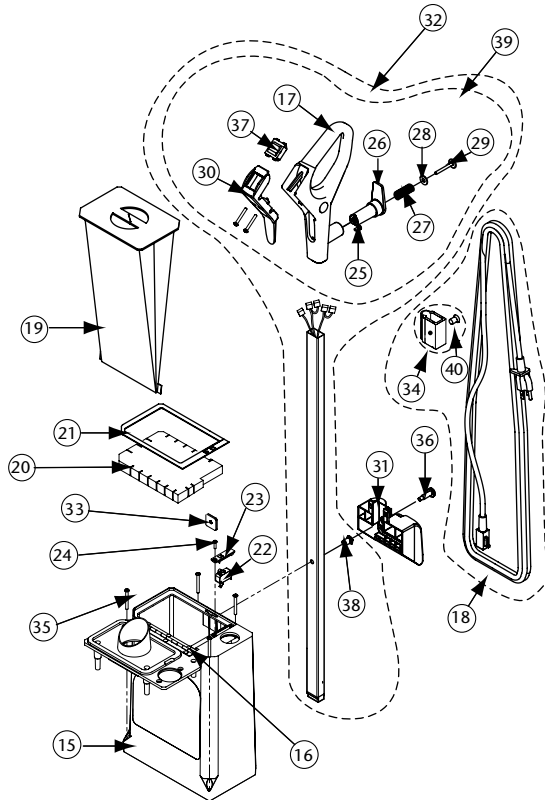
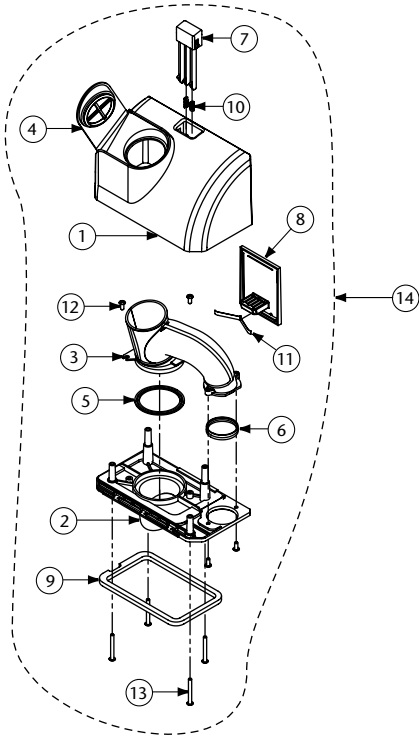
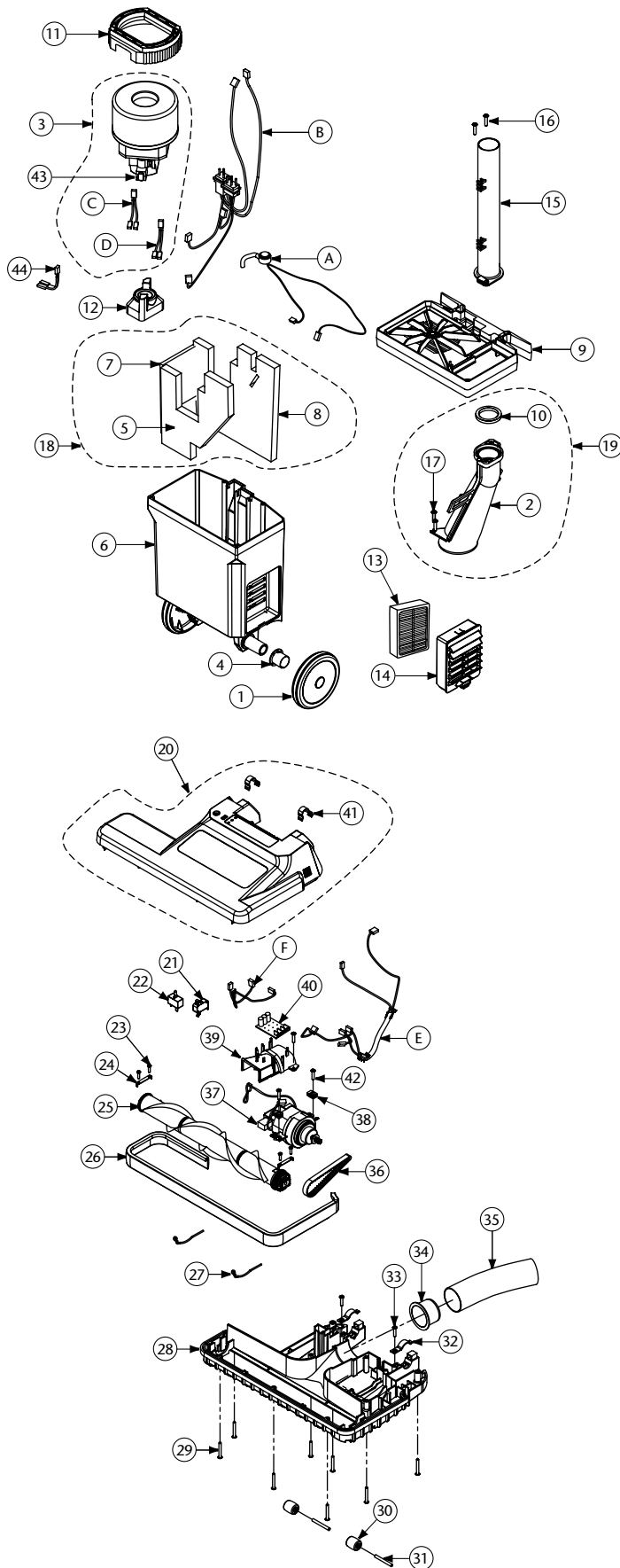


PROFORCE 1500 PARTS



No.	Product Name	Qty	List Price
1	104569 Cover, Bag Housing, Grey	1 ea.	\$ 16.54
2	104570 Plate, Bag Cover Nozzle	1 ea.	5.51
3	104571 Duct, Crossover, Bag Cover	1 ea.	7.89
4	104574 Plug, Access Port	1 ea.	3.31
5	104575 Seal, Crossover Duct/Bag Cover Nozzle Plate, Lower	1 ea.	2.21
6	104576 Seal, Crossover Duct, Inlet	1 ea.	2.21
7	104232 Latch, Release, Bag Cover	1 ea.	4.41
8	104243 Flex Plate, Bag Cover Latch	1 ea.	2.43
9	104241 Seal, Gasket, Bag Cover	1 ea.	2.43
10	104233 Spring, Release Button, F/Bag Cover Latch	2/pk	2.21
11	104242 Spring, Bag Cover Latch	1 ea.	3.31
12	104577 Screw, Phillips, 4mm x 9.5mm	4/pk	2.16
13	104493 Screw, Phillips, 4mm x 38mm	4/pk	4.05
14	105491 Filter Cover Kit, w/Riveted Hinge and 6 Rivets (includes: #1-13)	1 kit	38.81
15	104739 Bag Housing Assembly, Grey, w/Riveted Hinge and Decal Includes Bag Cover Nozzle Plate	1 ea.	39.69
16	104491 Rivet F/Bag Housing Assembly	6/pk	3.31
17	104255 Handle w/Over Mold and Decal	1 ea.	22.05
18	104284 Cord, Power Clasp, 50' Yellow (includes: #34, 41)	1 ea.	33.96
19	103483 Intercept Micro Filter	10/pk	10.99
20	104281 Filter, Motor Intake	1 ea.	2.89
21	104738 Seal, Gasket, Bag Housing	1 ea.	2.43
22	104283 Switch, Filter, Lock-Out	1 ea.	10.31
23	104282 Cover, Switch, Filter Lock-out	1 ea.	2.43
24	105075 Screw, Phillips, 2.9mm x 13mm, F/Switch Cover	1 ea.	3.94
25	104509 Screw, Phillips, F/Handle Assembly M4 x 10mm x .07 Pitch	1 ea.	2.21
26	104268 Bracket, Cord Wrap	1 ea.	4.41
27	104269 Spring, Compression, Cord Wrap Bracket	1 ea.	2.43
28	104270 Washer, Compression Spring, Cord Wrap Bracket	1 ea.	1.10
29	104271 Screw, Cord Wrap, 4mm x 35mm Phillips Round Head	1 ea.	2.21
30	105090 Handle Bezel w/Screws (old style)	1 ea.	7.74
	106740 Handle Bezel w/Screws (new style)	1 kit	7.74
31	104741 Handle, Carry	1 ea.	4.85
32	106615 Handle, Tube Assembly Complete (includes: #17, 25, 26, 27, 28, 29, 30, 36, 38, 39)	1 kit	60.03
33	104259 Plate, Handle Nut	1 ea.	1.22
34	105091 Clasp, Strain Relief Kit w/Fastener (includes:#41)	1 ea.	6.07
35	104493 Screw, Phillips, 4.2mm x 35mm	4/pk	4.05
36	104266 Screw, Handle Assembly	1 ea.	1.35
37	105147 Switch, Rocker, On/Off	1 ea.	13.23
38	104264 Bushing, Handle Tube	1 ea.	1.22
39	106614 Handle Kit (includes: #17, 25, 26, 27, 28, 29, 30, 38)	1 kit	39.69
40	105320 Ratchet Fastener	1 ea.	4.73

PROFORCE 1500 PARTS



No.	Product Name	Qty	List Price
1	104306 Wheel, Rear	2/pk	\$ 12.13
2	104250 Air Duct	1 ea.	10.31
3	104957 Motor Assembly Kit w/Jumpers (includes: C, D)	1 ea.	72.77
4	104504 Bearing, Pivot	2/pk	3.31
5	103532 Foam, Sound, Motor Housing Front Panel	1 ea.	5.16
6	104536 Motor Housing, Charcoal	1 ea.	32.20
7	103533 Foam, Sound, Motor Housing Left Panel	1 ea.	3.03
8	103531 Foam, Sound, Motor Housing Rear Panel	1 ea.	7.28
9	104245 Bulkhead, Dark Grey	1 ea.	14.63
10	104253 Seal, Lower Air Duct, Nitrile	1 ea.	1.22
11	104249 Motor Mount, Upper Nitrile	1 ea.	10.31
12	104247 Motor Mount, Lower Nitrile	1 ea.	6.07
13	105136 Filter, Exhaust, HEPA Media	1 ea.	6.62
14	104246 Cover, Filter Cartridge, Charcoal	1 ea.	4.97
15	104578 Air Duct, Upper ProForce 1500	1 ea.	6.62
16	104209 Screw, Phillips, 4mm x 12mm, F/Upper Air Duct	2/pk	2.63
17	104267 Screw, Phillips, 4mm x 12mm, F/Lower Air Duct	2/pk	3.98
18	105488 Motor Housing Sound Filter Kit (includes: #5, 7, 8)1 kit		14.55
19	105489 Air Duct Kit (includes: #2, 10, 16)	1 kit	10.92
20	104494 Power Nozzle Cover w/Detent Springs & Decal	1 ea.	29.95
21	104279 Switch, Safety, Power Nozzle Lockout	1 ea.	13.08
22	104212 Circuit Breaker	1 ea.	16.35
23	104496 Screw, Phillips, 2.9mm x 13mm, F/Brush Retainer4/pk		5.05
24	104499 Retainer, Brush Roll	2/pk	2.43
25	104216 Brush Roll, Power Nozzle, 14"	1 ea.	28.90
26	104218 Bumper, Power Nozzle, Vinyl	1 ea.	6.62
27	104500 Brace, Formed Wire, F/Power Nozzle Base	2/pk	2.43
28	104221 Baseplate, Power Nozzle	1 ea.	37.60
29	104497 Screw, Phillips, 4mm x 35mm F/Base Cover	8/pk	5.73
30	104501 Roller, Front	2/pk	4.41
31	104502 Shaft, Front Roller Axle	2/pk	2.43
32	104503 Clamp, Rear Wheel	1 set	4.24
33	104495 Screw, Phillips, 4mm x 19mm, F/Powerhead	5/pk	3.31
34	104227 Sleeve, Hose, Air Duct	1 ea.	2.43
35	104230 Hose, Power Nozzle to Air Duct, Lower	1 ea.	5.60
36	104217 Belt, Drive, F/Brush Roll	1 ea.	5.51
37	104506 Motor, Power Nozzle with Crimps	1 ea.	71.75
38	104498 Grommet, Vibration, Power Nozzle Motor, Nitrile2/pk		2.43
39	104224 Cover, Air Duct, Power Nozzle	1 ea.	4.56
40	104226 Board, Vacuum Operation Indicator	1 ea.	8.82
41	104507 Spring, Detent, Upright Lock	2/pk	3.31
42	105371 Screw, Phillips, 4.2mm x 19mm, F/Power Nozzle Motor	2/pk	2.21
43	105281 Carbon Brush Set for ProForce Motor	1 set	19.98
44	105760 Thermal Protector	1 ea.	8.92
105755	Wire Harness Kit includes:	1 set	31.43

- A. Sensor, Bag, Full Indicator
- B. Harness, Wire, Main Power Supply
- C. Harness, Jumper, White
- D. Harness, Jumper, Red
- E. Harness, Wire, Power Nozzle
- F. Harness, Power Nozzle Switch